



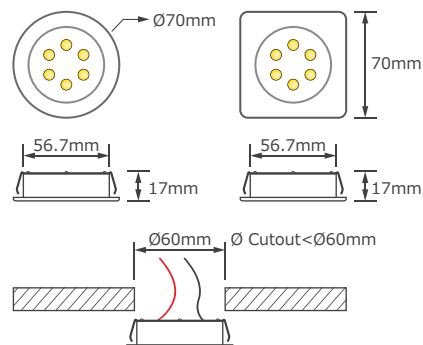
LED Downlight with Touch switch --603, 604, 663, 664 series

New



- Turn light ON/OFF by touch switch.
- Adjustable brightness with memory function.
- Very low standby current <1.0mA.
- Stable illumination by constant current circuit design.
- Use HIGH CRI LED (CRI>80) to achieve nature light, near sunlight. It makes human eyes comfortable. (For Nature White LED and Warm White LED)

Operating voltage 10V-15VDC or 22V-36VDC
Power consumption <1.9 W (<0.16A@12V / <0.08A@24V)
Standby current <1.0mA
Light resource 5050LED x 6 pcs, 120° spread, SMD type
Switching Touch switch, 3 levels of brightness. Await 3 seconds for memorizing.
Material Lens: white smoke, plastic
Rim: glossy or satin, plastic, chrome plated
spring clip: silver, stainless
Installation Recess mount by spring clip
Production Made in TAIWAN
Dimensions



Photos	Rim Finish	Power Switch	LED color	Color temperature	Parts No. 12V DC	Parts No. 24V DC
	Glossy chrome		Cool White	9000K	LIN-603GC-CW	LIN-663GC-CW
			High CRI Nature White	5000K	LIN-603GC-NW	LIN-663GC-NW
			High CRI Warm White	3000K	LIN-603GC-WW	LIN-663GC-WW
	Satin chrome		Cool White	9000K	LIN-603SV-CW	LIN-663SV-CW
			High CRI Nature White	5000K	LIN-603SV-NW	LIN-663SV-NW
			High CRI Warm White	3000K	LIN-603SV-WW	LIN-663SV-WW
	Glossy chrome		Cool White	9000K	LIN-604GC-CW	LIN-664GC-CW
			High CRI Nature White	5000K	LIN-604GC-NW	LIN-664GC-NW
			High CRI Warm White	3000K	LIN-604GC-WW	LIN-664GC-WW
	Satin chrome		Cool White	9000K	LIN-604SV-CW	LIN-664SV-CW
			High CRI Nature White	5000K	LIN-604SV-NW	LIN-664SV-NW
			High CRI Warm White	3000K	LIN-604SV-WW	LIN-664SV-WW
	Glossy chrome		Cool White	9000K	LIN-603GC-CW-2	LIN-663GC-CW-2
			High CRI Nature White	5000K	LIN-603GC-NW-2	LIN-663GC-NW-2
			High CRI Warm White	3000K	LIN-603GC-WW-2	LIN-663GC-WW-2
	Satin chrome		Cool White	9000K	LIN-603SV-CW-2	LIN-663SV-CW-2
			High CRI Nature White	5000K	LIN-603SV-NW-2	LIN-663SV-NW-2
			High CRI Warm White	3000K	LIN-603SV-WW-2	LIN-663SV-WW-2
	Glossy chrome		Cool White	9000K	LIN-604GC-CW-2	LIN-664GC-CW-2
			High CRI Nature White	5000K	LIN-604GC-NW-2	LIN-664GC-NW-2
			High CRI Warm White	3000K	LIN-604GC-WW-2	LIN-604GC-WW-2
	Satin chrome		Cool White	9000K	LIN-604SV-CW-2	LIN-664SV-CW-2
			High CRI Nature White	5000K	LIN-604SV-NW-2	LIN-664SV-NW-2
			High CRI Warm White	3000K	LIN-604SV-WW-2	LIN-664SV-WW-2

◆Contents, specifications and availability are subject to changes serving the technical improvement.



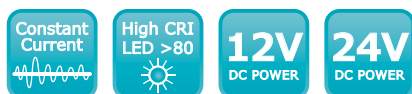
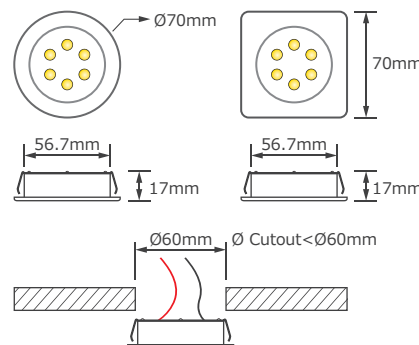


LED Downlight --613, 614, 623, 624, 633, 634, 673, 674, 683, 684 series

New



Operating voltage 10V-15VDC or 22V-36VDC
Power consumption <2.3 W (0.19A@12V / 0.09A@24V)
Light resource LED, 120° spread, SMD type
Material Lens: white smoke, plastic
Rim: glossy or satin, plastic, chrome plated
spring clip: silver, stainless
Installation Recess mount by spring clip
Switching Control ON/OFF via ARTH switch panel
(Parts No.: **SWP-T62PM** or **SWP-T42PM**)
Dimming Dimmed via ARTH dimmer
(Parts No.: **DIM-T06PM** or **DIM-T08PM**)
Production Dimensions Made in TAIWAN



- Replace the halogen spotlights.
- Stable illumination by constant current circuit design.
- Use HIGH CRI LED (CRI>80) to achieve nature light, near sunlight. It makes human eyes comfortable. (For Nature White LED and Warm White LED)

Photos	Rim Finish	Light resource	Color temperature	Parts No. 12V DC	Parts No. 24V DC
	Glossy chrome	● High CRI Nature White 5050LED x6pcs	5000K	LIN-613GC-NW	LIN-673GC-NW
		● High CRI Warm White 5050LED x6pcs	3000K	LIN-613GC-WW	LIN-673GC-WW
		● High CRI Nature White 5050LED x3pcs+ ● High CRI Warm White 5050LED x3pcs	5000K+ 3000K	LIN-623GC-WN	LIN-683GC-WN
		○ Cool White 3528LED x24pcs	9000K	LIN-633GC-CW	---
	Satin chrome	● High CRI Nature White 5050LED x6pcs	5000K	LIN-613SV-NW	LIN-673SV-NW
		● High CRI Warm White 5050LED x6pcs	3000K	LIN-613SV-WW	LIN-673SV-WW
		● High CRI Nature White 5050LED x3pcs+ ● High CRI Warm White 5050LED x3pcs	5000K+ 3000K	LIN-623SV-WN	LIN-683SV-WN
		○ Cool White 3528LED x24pcs	9000K	LIN-633SV-CW	---
	Glossy chrome	● High CRI Nature White 5050LED x6pcs	5000K	LIN-614GC-NW	LIN-674GC-NW
		● High CRI Warm White 5050LED x6pcs	3000K	LIN-614GC-WW	LIN-674GC-WW
		● High CRI Nature White 5050LED x3pcs+ ● High CRI Warm White 5050LED x3pcs	5000K+ 3000K	LIN-624GC-WN	LIN-684GC-WN
		○ Cool White 3528LED x24pcs	9000K	LIN-634GC-CW	---
	Satin chrome	● High CRI Nature White 5050LED x6pcs	5000K	LIN-614SV-NW	LIN-674SV-NW
		● High CRI Warm White 5050LED x6pcs	3000K	LIN-614SV-WW	LIN-674SV-WW
		● High CRI Nature White 5050LED x3pcs+ ● High CRI Warm White 5050LED x3pcs	5000K+ 3000K	LIN-624SV-WN	LIN-684SV-WN
		○ Cool White 3528LED x24pcs	9000K	LIN-634SV-CW	---

◆ Contents, specifications and availability are subject to changes serving the technical improvement.

Option:



Switch panel (SWP-T62PM)



Dimmer & Switch panel (DIM-T06PM & SWP-T42PM)



Analog Dimmer (DIM-T06PM)



Digital Dimmer, 10 levels (DIM-T08PM)





LED strip lights with switch --118, 128, 138, 148 series

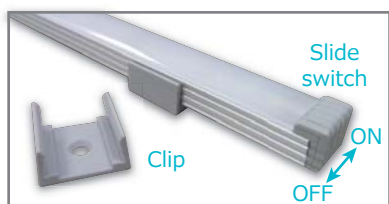
New



Constant Current



High CRI LED >80
12V DC POWER

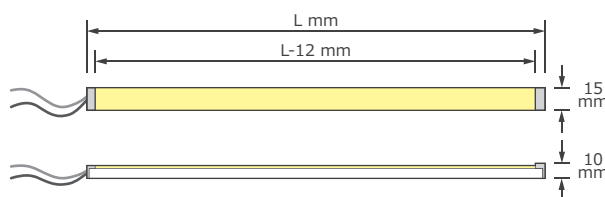


Slide switch

Clip

ON
OFF

Operating voltage 10V-15VDC
Light resource 3528LED, 120° spread, SMD type
Material Lens: white smoke, plastic
 Slide switch & clips: gray, plastic
 Base: silver, aluminum
Installation Surface mount by clips
Switching Control ON/OFF via slide switch or ARTH switch panel (Parts No.: **SWP-T62PM** or **SWP-T42PM**)
Dimming Dimmed via ARTH dimmer (Parts No.: **DIM-T06PM** or **DIM-T08PM**)
Production Made in TAIWAN
Dimensions



- Small and thin design.
- Control ON/OFF by slide switch.
- Stable illumination by constant current circuit design.
- Use HIGH CRI LED (CRI>80) to achieve nature light, near sunlight. It makes human eyes comfortable. (For Warm White LED)

Photos	Length (mm)	Power consumption	Light resource	Color temperature	Parts No. 12V DC
	158mm	<1.8 W (0.15A@12V) (0.08A@24V)	○ Cool White LED x18pcs ● High CRI Warm White LED x18pcs	9000K 3000K	LIN-118SV-CW LIN-118SV-WW
	303mm	<3.6 W (0.30A@12V) (0.15A@24V)	○ Cool White LED x36pcs ● High CRI Warm White LED x36pcs	9000K 3000K	LIN-128SV-CW LIN-128SV-WW
	448mm	<5.3 W (0.44A@12V) (0.22A@24V)	○ Cool White LED x54pcs ● High CRI Warm White LED x54pcs	9000K 3000K	LIN-138SV-CW LIN-138SV-WW
	593mm	<7.0 W (0.58A@12V) (0.29A@24V)	○ Cool White LED x72pcs ● High CRI Warm White LED x72cs	9000K 3000K	LIN-148SV-CW LIN-148SV-WW

◆Extendable length per 150mm, max 900mm. Customization is welcome.

◆Contents, specifications and availability are subject to changes serving the technical improvement.

Option:



Switch panel (SWP-T62PM)



Dimmer & Switch panel (DIM-T06PM & SWP-T42PM)



Analog Dimmer (DIM-T06PM)



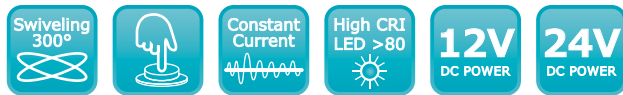
Digital Dimmer, 10 levels (DIM-T08PM)





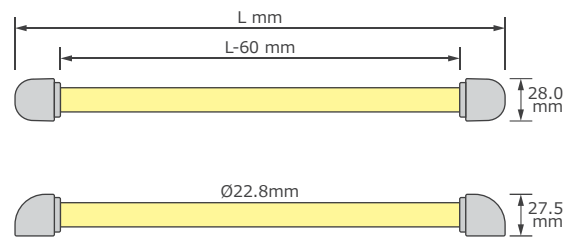
LED Swivel strip lights --129, 179, 629, 649 series

New



- Swivelable angle 300°, easy to fit in the car.
- Smart and thin design.
- Stable illumination by constant current circuit design.
- Use HIGH CRI LED (CRI>80) to achieve nature light, near sunlight. It makes human eyes comfortable. (For Warm White LED)

Operating voltage 10V-15VDC or 22V-36VDC
Power consumption 1ft: <4.6W (<0.38A@12V/ <0.19A@24V)
 2ft: <9.2W (<0.76A@12V/ <0.38A@24V)
Light resource 3528LED, 120° spread, SMD type
Swiveling angle 300°
Material Lens: white smoke, plastic
 Button: gray, rubber
 Base: gray, plastic
Installation Surface mount by screws
Switching Control ON/OFF via ARTH switch panel (Parts No.: **SWP-T62PM** or **SWP-T42PM**)
Dimming Dimmed via ARTH dimmer (Parts No.: **DIM-T06PM** or **DIM-T08PM**)
Production Dimensions Made in TAIWAN



Length (mm)	Switch	Power consumption	Light resource	Color temperature	Parts No. 12V DC	Parts No. 24V DC
1ft (324mm)	ON/OFF Push button	<4.6 W	○ Cool White LED x48pcs	9000K	LIN-129GY-CW	LIN-179GY-CW
			● High CRI Warm White LED x48pcs	3000K	LIN-129GY-WW	LIN-179GY-WW
1ft (324mm)	N/A	<4.6 W	○ Cool White LED x48pcs	9000K	LIN-629GY-CW	---
			● High CRI Warm White LED x48pcs	3000K	LIN-629GY-WW	---
2ft (586mm)	N/A	<9.2 W	○ Cool White LED x96pcs	9000K	LIN-649GY-CW	---
			● High CRI Warm White LED x96pcs	3000K	LIN-649GY-WW	---

◆Contents, specifications and availability are subject to changes serving the technical improvement.

Option:



Switch panel (SWP-T62PM)



Dimmer & Switch panel (DIM-T06PM & SWP-T42PM)



Analog Dimmer (DIM-T06PM)



Digital Dimmer, 10 levels (DIM-T08PM)

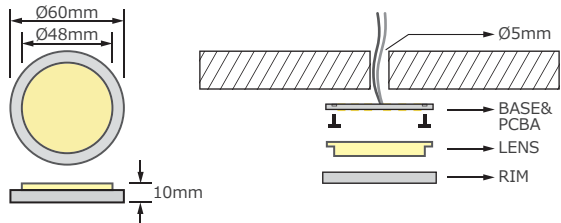
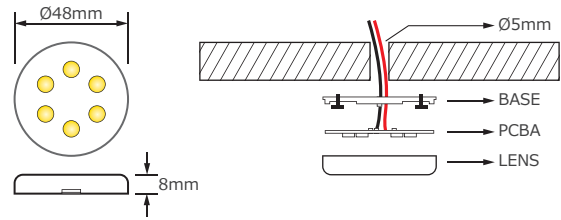




LED Downlight --612, 635, 695 series



Operating voltage 10V-15VDC or 22V-36VDC
Power consumption <2.3 W (0.19A@12V / 0.09A@24V)
Light resource LED, 120° spread, SMD type
Material Lens: white smoke, plastic
 Base in 612 series: white smoke, plastic
 Base & rim in 6X5 series: silver, aluminum
Installation Surface mount by screws
Switching Control ON/OFF via ARTH switch panel
 (Parts No.: **SWP-T62PM** or **SWP-T42PM**)
Dimming Dimmed via ARTH dimmer
 (Parts No.: **DIM-T06PM** or **DIM-T08PM**)
Production Made in TAIWAN
Dimensions



- Small and thin design.
- Stable illumination by constant current circuit design.
- Use HIGH CRI LED (CRI>80) to achieve nature light, near sunlight. It makes human eyes comfortable. (For Nature White LED and Warm White LED)

Photos	Size (mm)	Light resource	Color temperature	Parts No. 12V DC	Parts No. 24V DC
	Ø48xT8mm	● High CRI Nature White 5050LED x6pcs	5000K	LIN-612FG-NW	---
		● High CRI Warm White 5050LED x6pcs	3000K	LIN-612FG-WW	---
	Ø60xT10mm	○ Cool White 3528LED x24pcs	9000K	LIN-635SV-CW	LIN-695SV-CW
		● High CRI Warm White 3528LED x24pcs	3000K	LIN-635SV-WW	LIN-695SV-WW

◆ Contents, specifications and availability are subject to changes serving the technical improvement.

Option:



Switch panel (SWP-T62PM)



Dimmer & Switch panel (DIM-T06PM & SWP-T42PM)



Analog Dimmer (DIM-T06PM)



Digital Dimmer, 10 levels (DIM-T08PM)





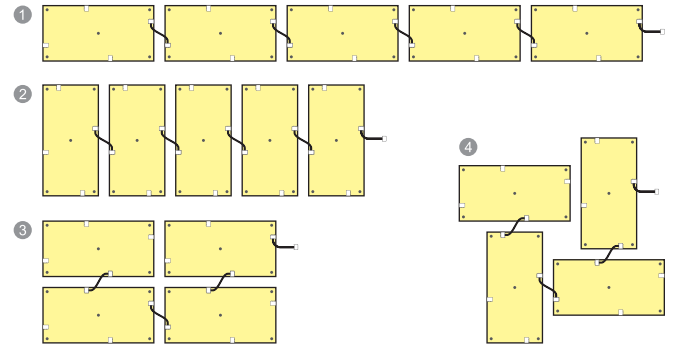
LED Ceiling light board --806, 8A2, 8B2 series



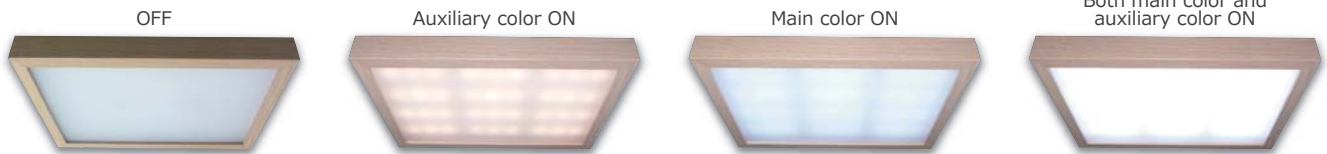
Operating voltage 10V-15VDC or 22V-36VDC
Light resource 3528LED, 120° spread, SMD type
Installation Surface mount by screws
 Connecting by attached exclusive harness
Switching Control ON/OFF via ARTH switch panel
 (Parts No.: **SWP-T62PM** or **SWP-T42PM**)
Dimming Dimmed via ARTH dimmer
 (Parts No.: **DIM-T06PM** or **DIM-T08PM**)
Production Made in TAIWAN
Dimensions 200x100xT8.0mm
Combination



- Main color and auxiliary color in one light board.
- Main light and auxiliary light are switchable by wire connection.
- Easy to combine several PCBAs together (max 5pcs) by exclusive harness to make a large light.
- Stable illumination by constant current circuit design.
- Use HIGH CRI LED (CRI>80) to achieve nature light, near sunlight. It makes human eyes comfortable. (For Warm White LED)



LED large light example: (Combine 3 PCBAs together)



Photos	Power consumption	Light resource	Color temperature	Parts No. 12V DC	Parts No. 24V DC
	<5.2 W (0.44A@12V) (0.22A@24V)	<ul style="list-style-type: none"> ● Cool White LED x48pcs+ Amber LED x10pcs ● High CRI Warm White LED x48pcs+ Amber LED x10pcs 	9000K 3000K	LIN-806PB-CW	---
	<5.8 W (0.48A@12V) (0.24A@24V)	<ul style="list-style-type: none"> ● Cool White LED x48pcs+ High CRI Warm White LED x12pcs 	9000K+ 3000K	LIN-8A2PB-CW	LIN-8B2PB-CW

◆Contents, specifications and availability are subject to changes serving the technical improvement.

Option:



Switch panel (SWP-T62PM)



Dimmer & Switch panel (DIM-T06PM & SWP-T42PM)



Analog Dimmer (DIM-T06PM)



Digital Dimmer, 10 levels (DIM-T08PM)

